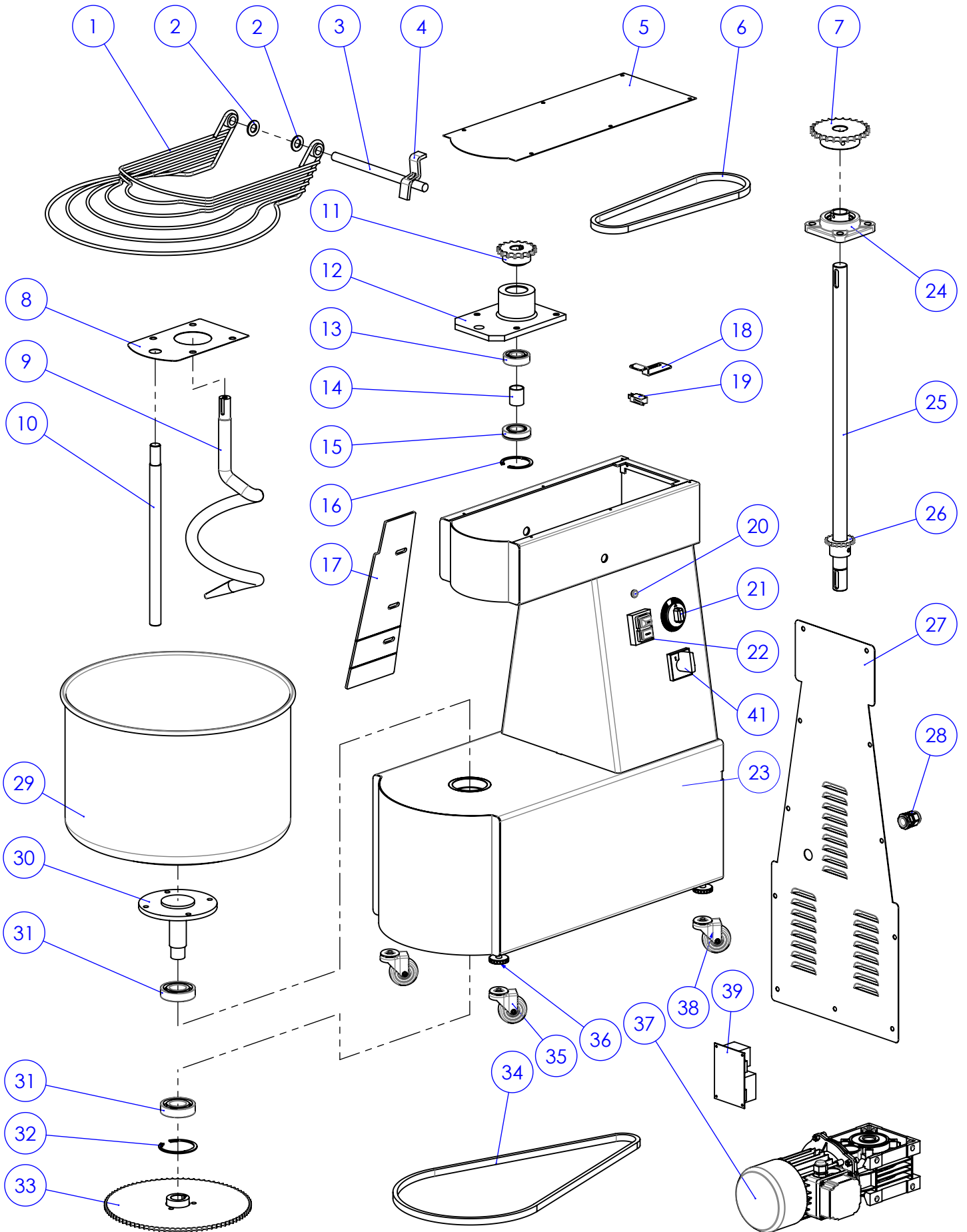


IMPASTATRICE TESTA FISSA SK20-30-40-50



PRICE LIST SPARE PARTS - IMPASTATRICI A SPIRALE SK

DESCRIZIONE	NR. DIS.	Description
CORPO IMPAST.SK 10 VERNIC.	23	KNEADER CHASSIS SK10
CORPO IMPAST.SK 20 VERNIC.	23	KNEADER CHASSIS SK20
CORPO IMPAST.SK 30 VERNIC.	23	KNEADER CHASSIS SK30
CORPO IMPAST.SK 40-50 VERNIC.	23	KNEADER CHASSIS SK40/50
CHIUSURA POSTERIORE TELAIO SK 10 VERNIC.	27	POSTERIOR PANEL SK10
CHIUSURA POSTERIORE TELAIO SK 20 VERNIC.	27	POSTERIOR PANEL SK20
CHIUSURA POSTERIORE TELAIO SK 30 VERNIC.	27	POSTERIOR PANEL SK30
CHIUSURA POSTERIORE TELAIO SK 40-50 VERNIC.	27	POSTERIOR PANEL SK40/50
COPERCHIO SUPERIORE SK10 VERNIC.	5	SUPERIOR COVER SK10
COPERCHIO SUPERIORE SK20 VERNIC.	5	SUPERIOR COVER SK20
COPERCHIO SUPERIORE SK30 VERNIC.	5	SUPERIOR COVER SK30
COPERCHIO SUPERIORE SK40-50 VERNIC.	5	SUPERIOR COVER SK40/50
CUSCINETTO NBB/KG 6005 2RS SK 10	31	SHIELDED BEARING
CUSCINETTO NBB/KG 6206 2RS SK 20-30-40-50	31	SHIELDED BEARING
VASCA INOX SK 10	29	BOWL SK10
VASCA INOX SK 20	29	BOWL SK20
VASCA INOX SK 30	29	BOWL SK30
VASCA INOX SK 40	29	BOWL SK40
VASCA INOX SK 50	29	BOWL SK50
SUPPORTO VASCA SK 10	30	BOWL SUPPORT SK10
SUPPORTO VASCA SK 20	30	BOWL SUPPORT SK20
SUPPORTO VASCA SK 30-40	30	BOWL SUPPORT SK30/40
SUPPORTO VASCA SK 50	30	BOWL SUPPORT SK50
CORONA SK 10	33	BARBED CROWN - ROSARY SK10
CORONA 3/8 S + MOZZO SK 20	33	BARBED CROWN - ROSARY SK20
CORONA 3/8 S + MOZZO SK 30-40	33	BARBED CROWN - ROSARY SK30/40
CORONA 3/8 S + MOZZO SK 50	33	BARBED CROWN - ROSARY SK50
CATENA PER SK10 SOTTO P.85	34	3/8S CHAIN SK10
CATENA PER SK20 SOTTO P.117	34	3/8S CHAIN SK20
CATENA PER SK30 SOTTO P.133	34	3/8S CHAIN SK30
CATENA PER SK 40-50 SOTTO P.139	34	3/8S CHAIN SK40/50
SUPPORTO SPIRALE SK 10	13+12+15+16	SPIRAL SUPPORT
SUPPORTO SPIRALE SK 20	12+13+14+15+16	SPIRAL SUPPORT
SUPPORTO SPIRALE SK 40	12+13+14+15+16	SPIRAL SUPPORT
SUPPORTO SPIRALE SK 30-50	12+13+14+15+16	SPIRAL SUPPORT
CUSCINETTO NBB/KG 6300 2RS SOPRA SK 10	13	SHIELDED CUSHION
CUSCINETTO NBB/KG 6301 2RS SOTTO SK 10	15	SHIELDED CUSHION SK10
CUSCINETTO NBB/KG 6204 2RS SOPRA SK 20	13	SHIELDED CUSHION SK20
CUSCINETTO NBB/KG 6303 2RS SOTTO SK 20	15	SHIELDED CUSHION SK20
CUSCINETTO NBB/KG 6204 2RS SOTTO SK 30-40-50	15	SHIELDED CUSHION SK 30/40/50
CUSCINETTO NBB/KG 62/22 2RS SOPRA SK 30-40-50	13	SHIELDED CUSHION SK 30/40/50
SPIRALE COMPLETA SK 10	11+13+12+15+16+9	COMPLETE SPIRAL SK 10
SPIRALE COMPLETA SK 20	11+12+13+14+15+16+9	COMPLETE SPIRAL SK 20
SPIRALE COMPLETA SK 30	11+12+13+14+15+16+9	COMPLETE SPIRAL SK 30
SPIRALE COMPLETA SK 40	11+12+13+14+15+16+9	COMPLETE SPIRAL SK 40
SPIRALE COMPLETA SK 50	11+12+13+14+15+16+9	COMPLETE SPIRAL SK 50
SPIRALE SK10	9	SPIRAL SK10
SPIRALE SK20	9	SPIRAL SK20
SPIRALE SK30-40	9	SPIRAL SK30/40
SPIRALE SK50	9	SPIRAL SK50
ASTA SPACCAPASTA INOX SK10	10+41	DOUGH BREAKER SK10
ASTA SPACCAPASTA INOX SK20	10	DOUGH BREAKER SK20
ASTA SPACCAPASTA INOX SK30	10	DOUGH BREAKER SK30
ASTA SPACCAPASTA INOX SK 40-50	10	DOUGH BREAKER SK40/50
PIASTRA SPACCAPASTA SK 10	8	DOUGH BREAKER PLATE SK 10
PIASTRA SPACCAPASTA SK 20	8	DOUGH BREAKER PLATE SK 20
PIASTRA SPACCAPASTA SK 30-40-50	8	DOUGH BREAKER PLATE SK 30-40-50
CATENA KSF APERT. PER SK10 SOPRA P.45	6	SPIRAL CHAIN 1/2S SK10
CATENA KSF APERT. PER SK20/30 SOPRA	6	SPIRAL CHAIN 1/2S SK20/30
CATENA KSF APERT. PER SK 40-50 SOPRA P.61	6	SPIRAL CHAIN 1/2S SK40/50
SUPPORTO U.C.F. SK 10	24	UCF SUPPORT
SUPPORTO U.C.F. SK 20-30-40-50	24	UCF SUPPORT
PIGNONE SUP.ALBERO DI TRASM. SK10	7	SUPERIOR PINION OF THE TRANSMISSION SHAFT SK10

PIGNONE SUP.ALBERO DI TRASM. SK20	7	SUPERIOR PINION OF THE TRANSMISSION SHAFT SK20
PIGNONE SUP.ALBERO DI TRASM. SK30-40-50	7	SUPERIOR PINION OF THE TRANSMISSION SHAFT SK30/40/50
ALBERO DI TRASMISS.+PIGNONE SK 10 STD	25+26	TRANSMISSION SHAFT
ALBERO DI TRASMISS.+PIGNONE SK 20 STD	25+26	TRANSMISSION SHAFT
ALBERO DI TRASMISS.+PIGNONE SK 20 MO	26+26	TRANSMISSION SHAFT
ALBERO DI TRASMISS.+PIGNONE SK 30-40	25+26	TRANSMISSION SHAFT
ALBERO DI TRASMISS.+PIGNONE SK 50	25+26	TRANSMISSION SHAFT
MOTORIDUTTORE COMP. MONOF. SK10	37	SINGLE PHASE MOTOR SK10